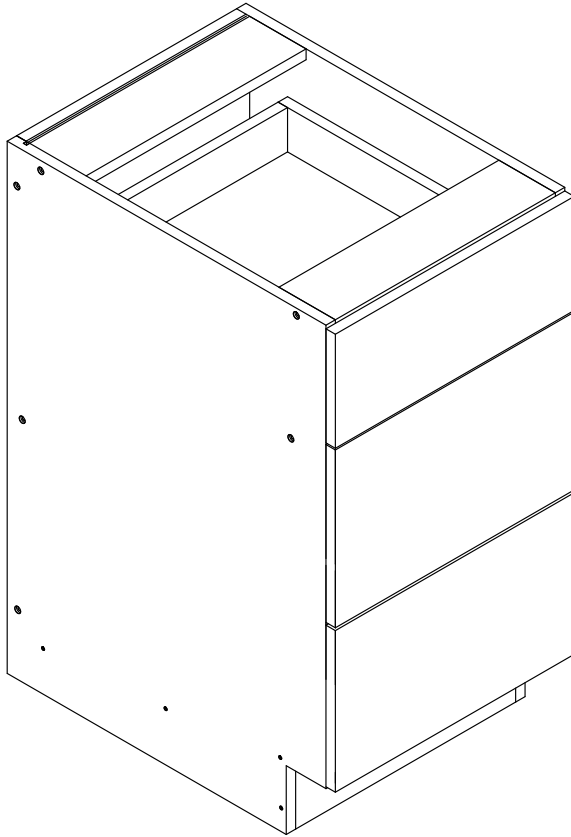
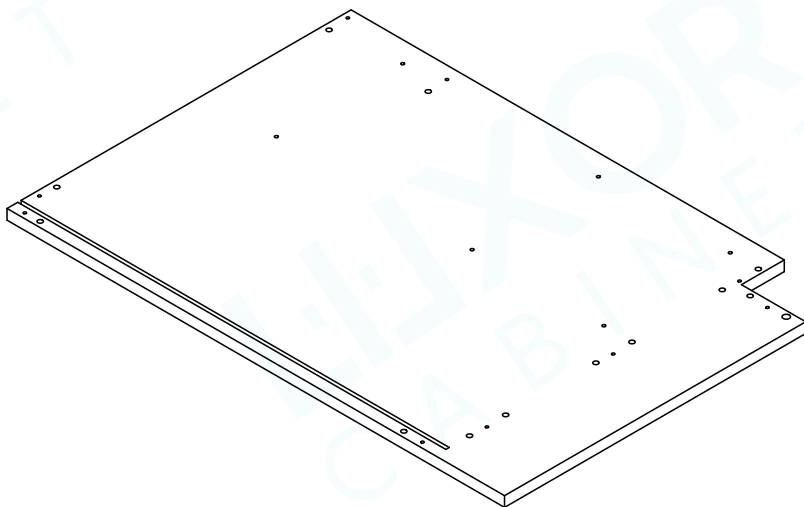
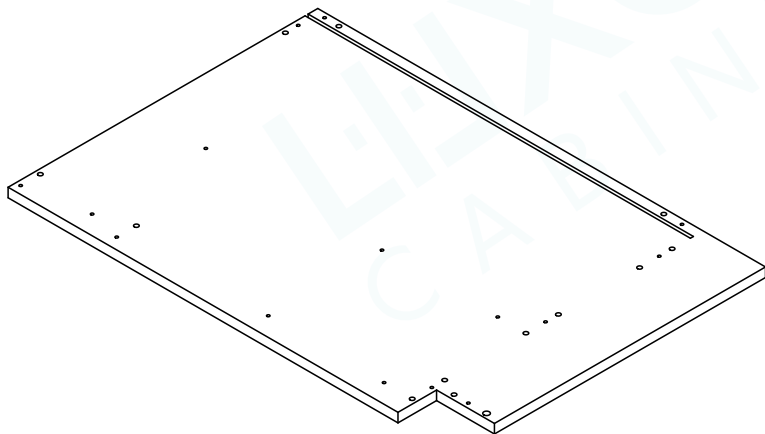


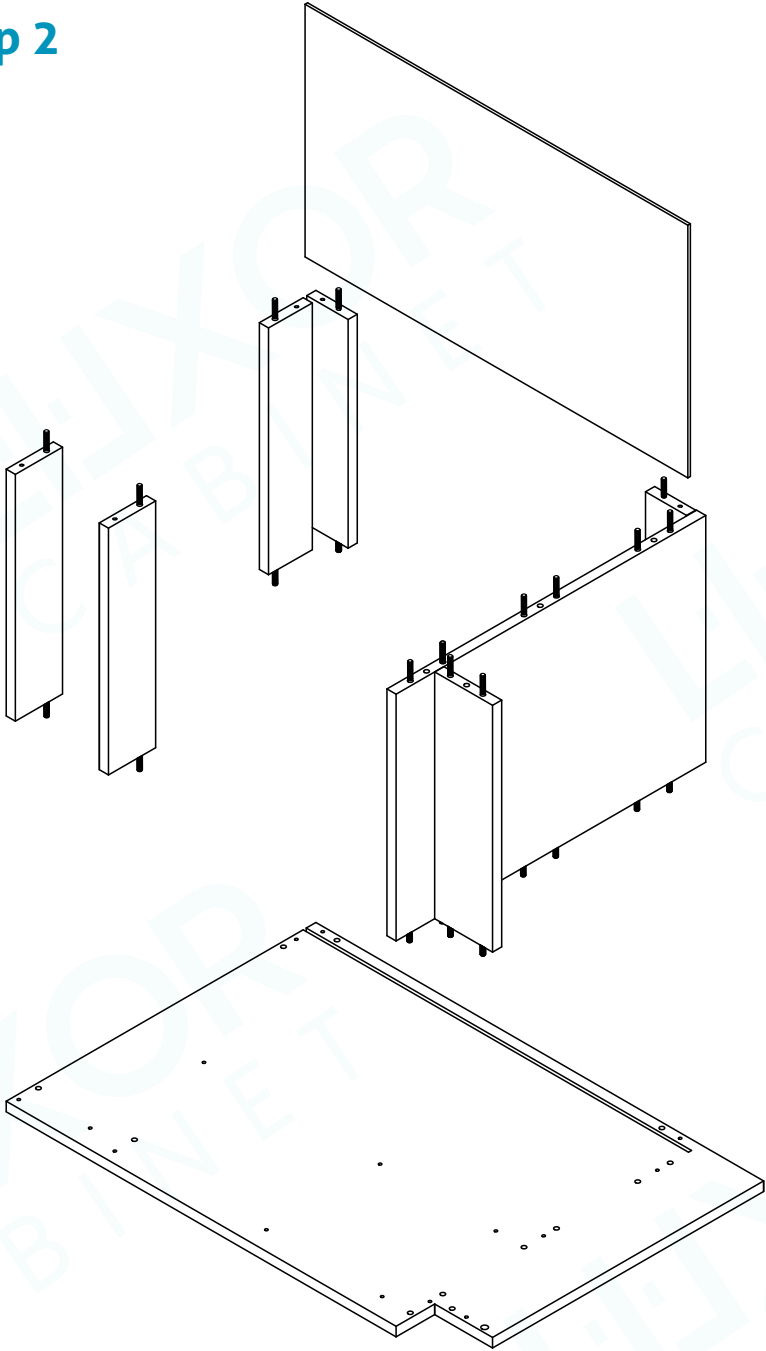
**Base Cabinet**  
**Assembly Instruction**  
3DB(12-36) 3VDB(12-36)



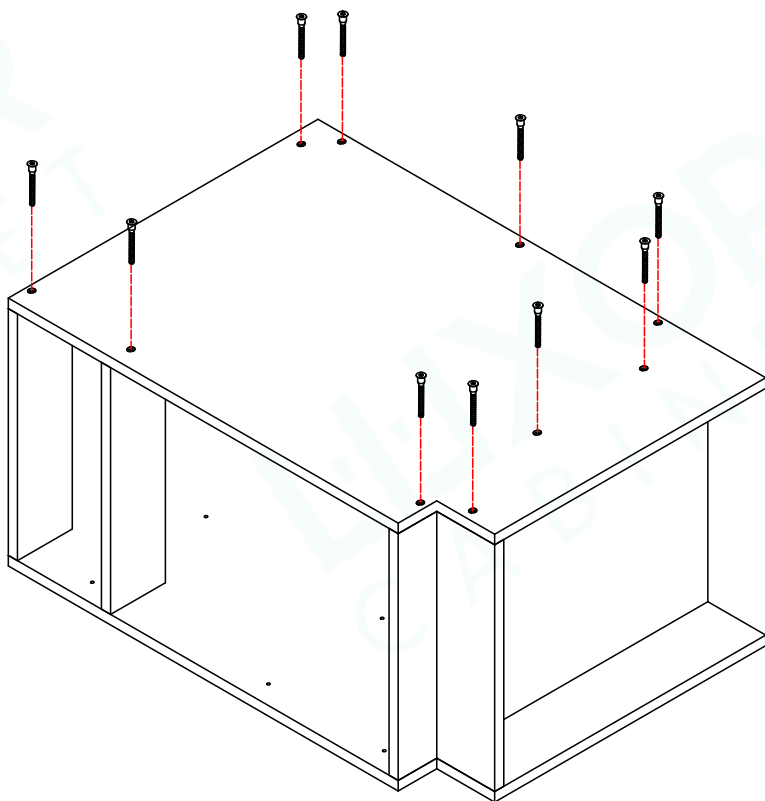
# Step 1



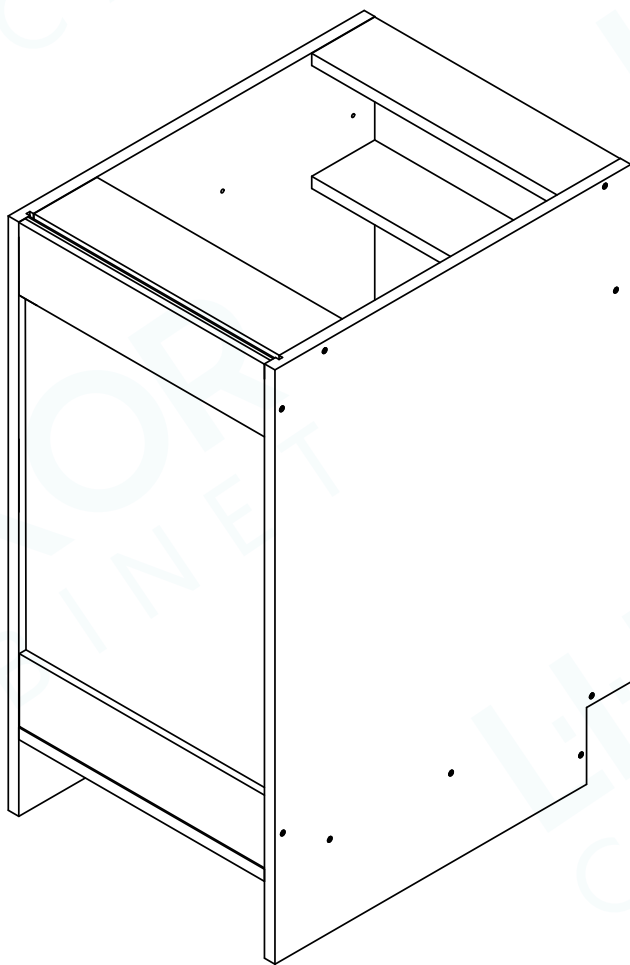
# Step 2



## Step 3



## Step 4



## Step 5

